



**WILLIBALD**  
RECYCLING TECHNOLOGY



# TBU-3P / TBU-XL

SHREDDING - SCREENING - TURNING

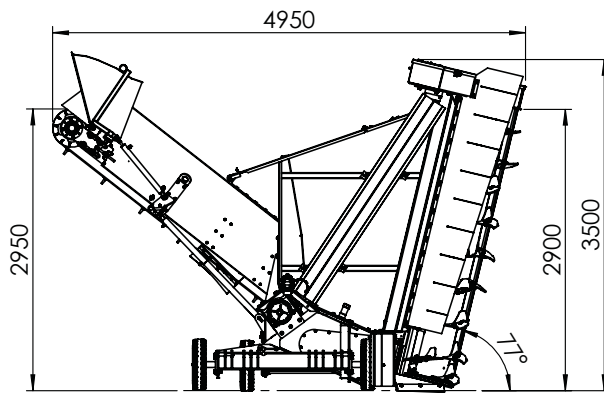


www.wirthsafergmbh.de

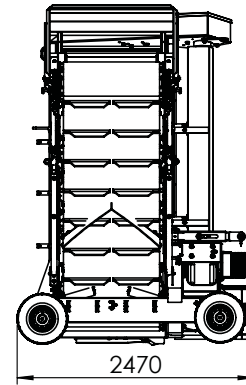


TBU-XL

## Important features at a glance



Dimensions in working position



# Technical Data TBU 3P

Transport dimensions	(LxWxH) 4950/2470/3500 mm
Total weight	3600 kg
Chassis	4 fixed heavy-duty wheels, optional: steerable rear wheels
Hitch	
Rotation speed of PTO	1000 rpm
Mount	category II + III in the 3-point linkage of the tractor
Hydraulic connections	
Belt up / down, discharge flap close / open	1x double acting, functions changeable by 3-way valve
Milling drum	
Height	2900 mm
Diameter	760 mm
Rotation speed at 1.000 rpm	315 rpm
Knives/milling bits	26 / 2 pcs.
Max. milling depth	up to 500 mm depending on type of tractor and kind of material
Discharge belt (rubber belt)	
Dropping height	3500 mm
Speed at 1.000 rpm	6,6 m/s
Tractor minimum requirement	
Minimum performance	from 96 kW / 130 HP
Maximum performance	from 220 kW / 300 HP
Speed	up to 1,5 km/h

The specified parameters refer to the standard machine.  
The dimensions and specifications may vary due to equipment options.



## TBU 3P

- With four fixed, heavy-duty wheels
- Two steerable rear wheels are also available as an option

- Height 2.90 m, weight 400 kg
- 26 knives and two milling chisels
- The maximum milling depth of the drum is up to 50 cm depending on the tractor and material properties

- Dropping height of 350 cm (width 100 cm)

- The ideal tractor performance is between 130 and 300 PS

- Hydraulic connections: 1x double acting
- The functions (belt up / down, discharge flap close / open) are adjustable by a 3-way valve

- swivelable trailing axle
- special paint according to RAL specifications is possible at the customer's request

- up to 1,000 m³/h compost

### Basic machine:

Sturdy steel window turning device hitchable to tractors. No public road license, can only be transported by trailer or flat-bed truck

### Milling drum:

Heavy-duty steel version with a diameter of approx. 80 cm

### Discharge belt:

The compost is thrown out on the opposite side to the milling drum by a rubber conveyor belt

### Discharge flap:

The form and height of the newly stacked parallel windrow can be controlled well with the continuously adjustable discharge flap

### Drive:

The machine is driven by an included, suitable powertrain by the PTO of a tractor. It is fixed by the 3-point hitch

### Hydraulics:

### Machine accessories:

The suitable „Walterscheid PowerDrive“ powertrain with overload coupling (choice of four connection profiles) for the tractor is included in the purchase

### Other options:

- With two fixed heavy-duty wheels at the front and two steerable rear wheels at the rear

- Height 3.40 m, weight 500 kg
- 35 knives and two milling chisels
- The maximum milling depth of the drum is up to 60 cm depending on the tractor and material properties

- Dropping height of 400 cm (width 120 cm)

- Optimum tractor performance between 180 and 300 PS

- Hydraulic connections: 2x double acting
- The functions (discharge flap close / open and the support legs up / down, swivel drum) are adjustable by a 3-way valve.

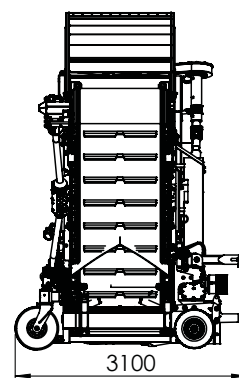
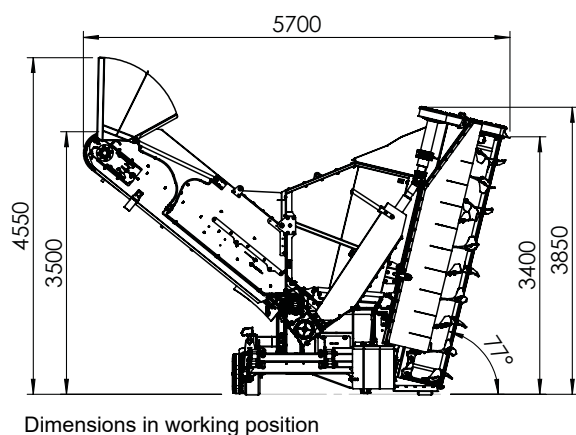
- hydraulic moving frame
- reinforced trailing axle
- hydraulic interlocking
- RAL special paint selectable according to customer's request

- up to 1,500 m³/h compost

### Throughput rate:

At a turning speed of 0.5 up to 1.5 km/h depending on the tractor performance and milling depth

**Special requests:** Individual customer requests are possible after examination. We look forward to your challenges.



## Technical Data TBU XL

Transport dimensions	(LxWxH) 8050/2550/3650 mm
Total weight	5800 kg (+500 kg with a reinforced axle)
Chassis	2 fixed heavy-duty wheels, 2 steerable rear wheels
Hitch	
Rotation speed of PTO	1000 rpm
Mount	category III in the 3-point linkage of the tractor
Hydraulic connections	
Swivel drum (for transport) Support legs up/down	2x double acting
Discharge flap close/open	from tractor
Milling drum	
Height	3400 mm
Diameter	800 mm
Rotation speed at 1.000 rpm	330 rpm
Knives/milling bits	35 / 2 pcs.
Max. milling depth	up to 600 mm depending on type of tractor and kind of material
Discharge belt (rubber belt)	
Dropping height	4000 mm
Speed at 1.000 rpm	7 m/s
Tractor minimum requirement	
Minimum performance	from 132 kW / 180 HP
Maximum performance	from 220 kW / 300 HP
Speed	up to 1,5 km/h

The specified parameters refer to the standard machine.  
The dimensions and specifications may vary due to equipment options.



COMPOST WINDROW TURNER

# TBU 3P / TBU XL

---

Continuous turning of shredded materials, such as green waste for example, ensures even mixing of the windrow layers so that considerably faster compost ripening is followed by a thoroughly homogeneous end product of the highest quality. Our compact windrow turners TBU 3P and TBU XL enable high turning speeds including secondary shredding of larger residue materials.

## Two powerful tractor-towed compost turners depending on the windrow height

For restacking trapezoidal compost windrows up to a height of 3 meters, the TBU 3P, and up to a height of 3.5 meters, the TBU XL, is the ideal choice. The restacking procedure is performed in a space-saving way by cutting off compost flanks and moving the cut material to a parallel windrow. The TBU series is driven by the PTO shaft with three-point linkage of common high-performance tractors.

## The most important advantages at a glance:

Low-maintenance and easy to operate processing machine

Work process in the pull direction and therefore a clear view for the operator

Fast and easy replacement of the milling tools

## Willibald technology meets all the important requirements of the composting branch:

Very good mixing of the outer and inner windrow layers

Secondary shredding of the compost constituents

Reactivation of the micro-organisms thanks to improved air supply

Shorter decomposition time and higher quality of the compost



Visit the Willibald YouTube channel  
and see our machines in action.



# **WILLIBALD**

## **RECYCLING TECHNOLOGY**

---

### **HEADQUARTERS**

J. Willibald GmbH  
Recycling Technology  
Bahnhofstr. 6  
88639 Wald-Sentehart  
Germany

Phone: +49 (0)7578/189-0  
Fax: +49 (0)7578/189-170

[info@willibald-gmbh.de](mailto:info@willibald-gmbh.de)  
[www.willibald-gmbh.de](http://www.willibald-gmbh.de)

### **BRANCH OFFICE**

Willibald service and  
maintenance center  
Im Wolfsgraben 5  
36414 Unterbreizbach  
Germany

Phone: +49 (0)36962/514-10  
Fax: +49 (0)36962/514-18

[info.ubba@willibald-gmbh.de](mailto:info.ubba@willibald-gmbh.de)